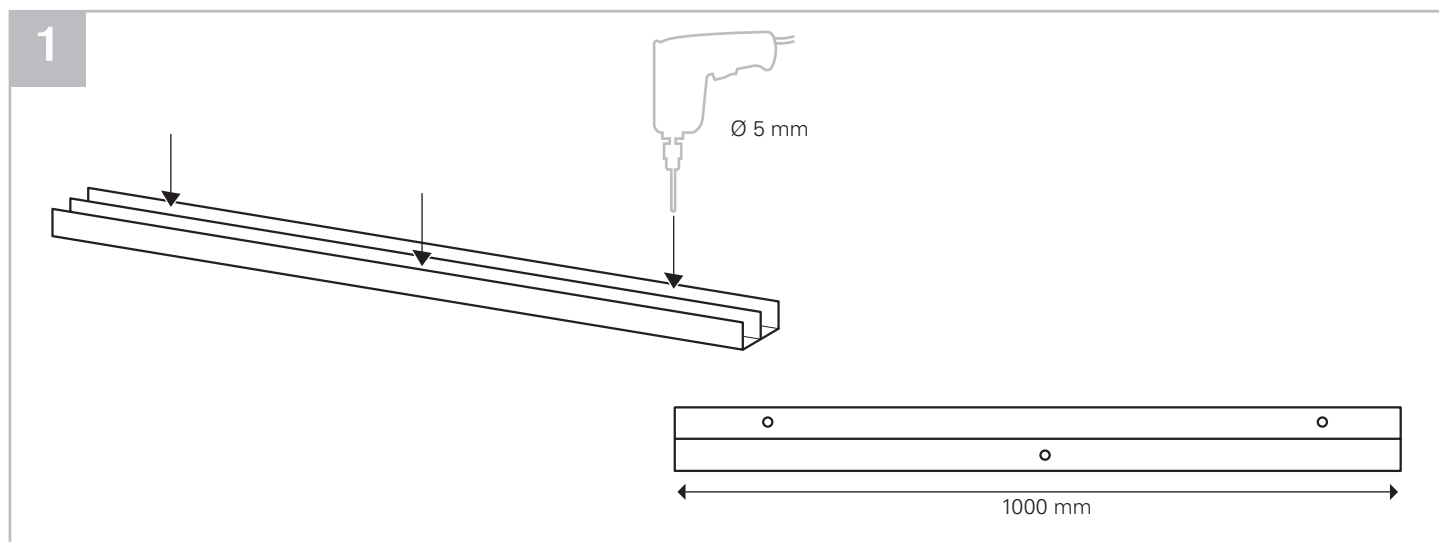
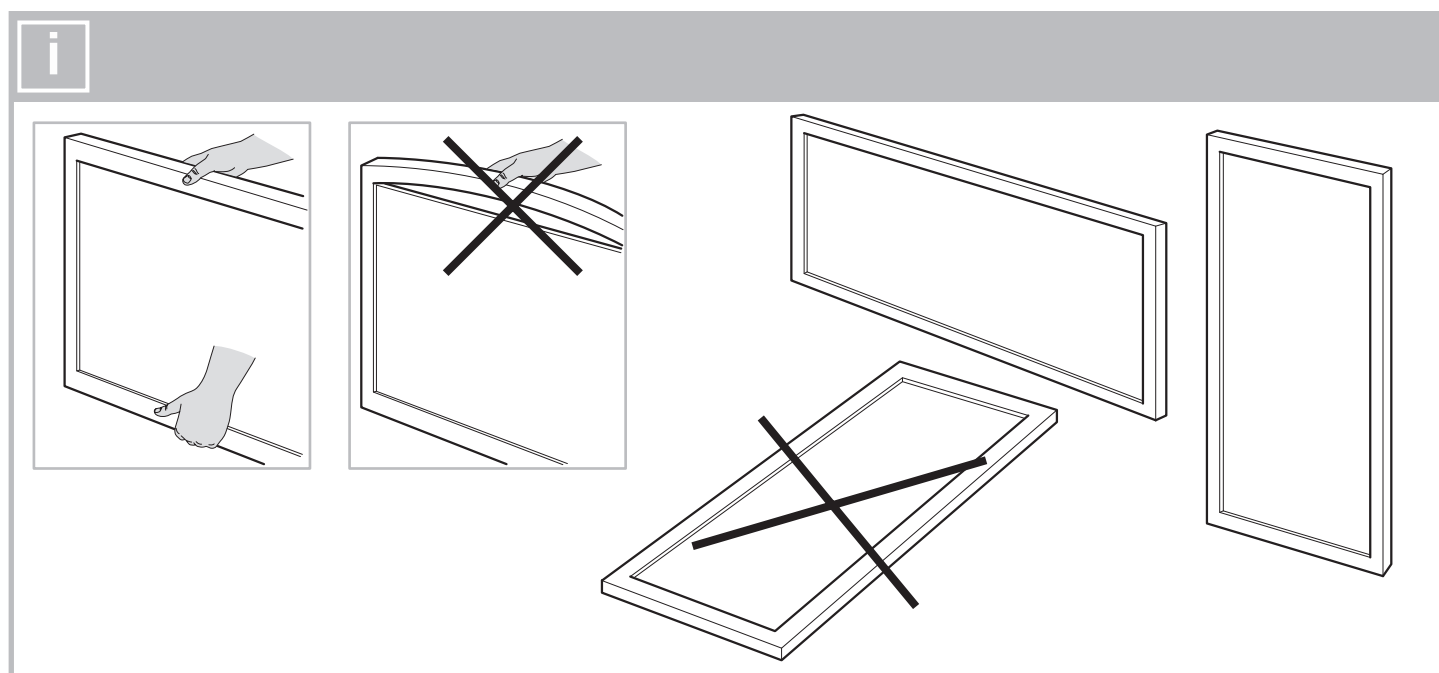
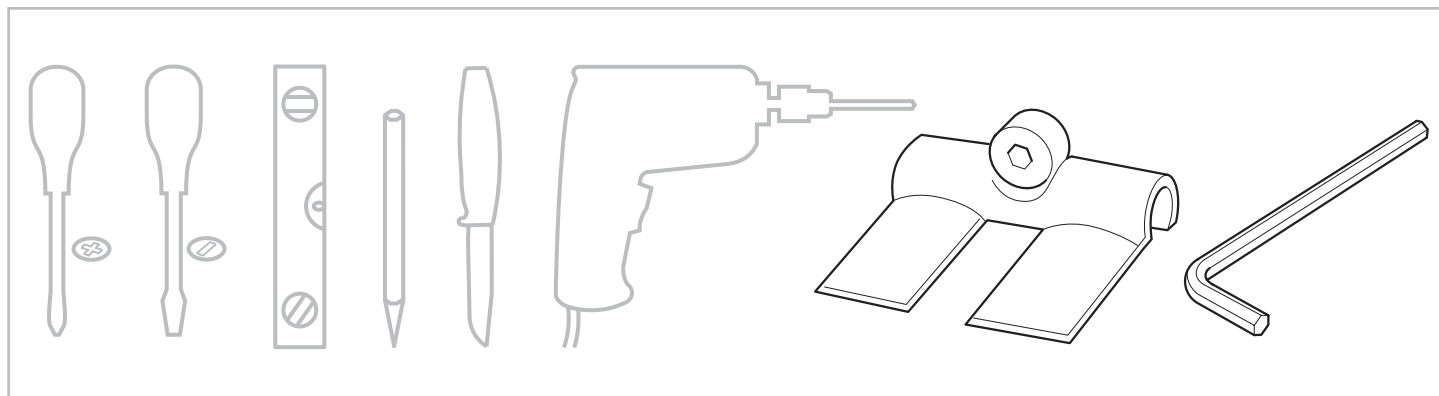
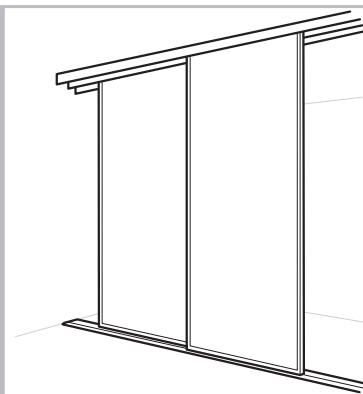
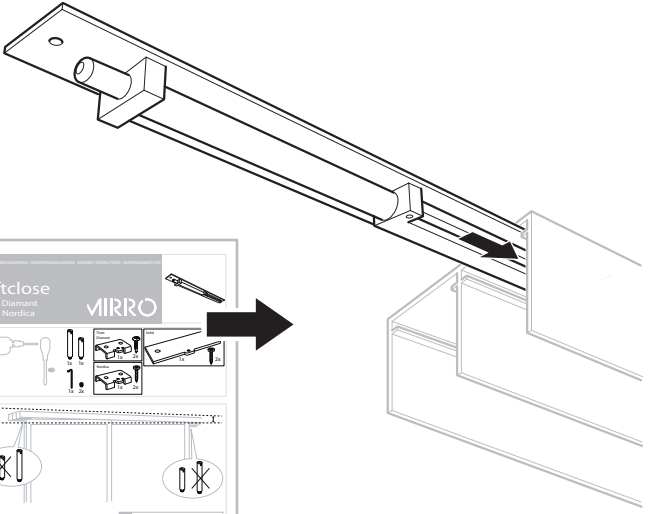


MIRRO

Titan ■ Diamant ■ Rubin ■ Opal
Solid ■ Nordica ■ Symmetric ■ Solitär



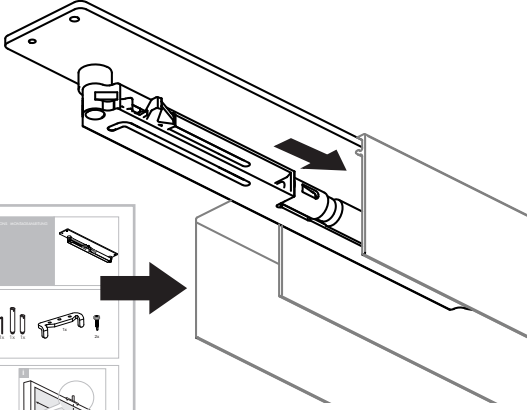


Softclose
Titan Diamant
Solid Nordica
MIRRO

1.

Titan
Diamant
Solid
Nordica

This diagram shows the installation of a soft-close hinge. It includes a list of compatible models (Titan, Diamant, Solid, Nordica) and a four-step numbered sequence of illustrations. Step 1 shows the hinge being inserted into the cabinet's mounting slot. An arrow points from the text block to the main installation diagram.



MIRRO
Mjukstängning

Solitär

This diagram shows the installation of a soft-close hinge. It includes a list of compatible models (Solitär) and a four-step numbered sequence of illustrations. Step 1 shows the hinge being inserted into the cabinet's mounting slot. An arrow points from the text block to the main installation diagram.



Led
MIRRO

1 2 3 4

This diagram shows the installation of a lighting strip. It includes a list of compatible models (Led) and a four-step numbered sequence of illustrations. Step 1 shows the strip being inserted into the cabinet's mounting slot. An arrow points from the text block to the main installation diagram.

